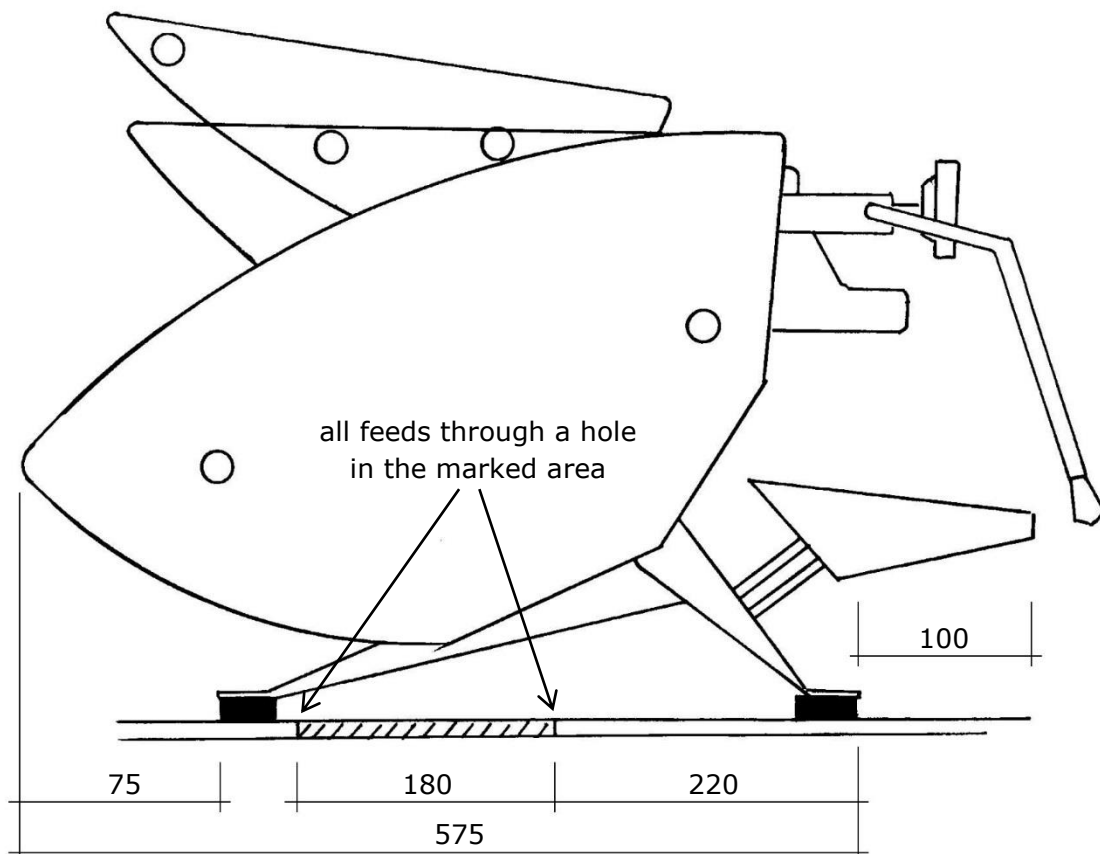


## Mirage pre-installation guide

Before unpacking the machine, you must be sure the area where the machine will be placed has been prepared properly. The **countertop** should be level and firm enough to carry the weight of the machine (up to 100 kg, 220 lbs), even when force is applied to it (to lock in the filter holders, tamp the coffee bed, etc.).

The handle of the filter holder will be approximately 25 cm (10") above the countertop. A countertop height of 85-100 cm (33-40") is suitable for most barista's (170-195 cm; 5'2"-6'5").

For the **feed through of the water hoses and electrical cables** drill a hole of 60 mm (2 $\frac{3}{8}$ ") diameter in the counter; this should be no further than 15 cm (6") (left or right) from the middle of the machine, and between 22 and 40 cm (9" and 16") behind the front feet (see machine side-view). The width of a Mirage (body without steam wand) Duette is 730 mm (28.7"), the width of a Triplette is 920 mm (36.2"). Ensure that this hole is not above the knock-box!

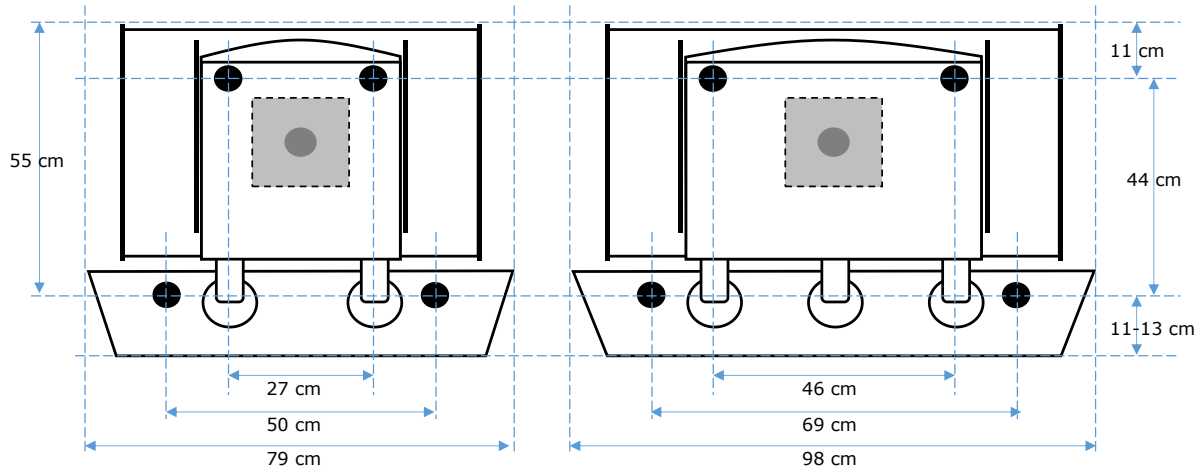


*Side view of Mirage, measurements in millimetres.*

Where 1 or 2 optional steam foot-pedals are used: There is a hole needed for the thin rubber tube(s) from under the machine to the foot pedal on the ground. In the counter, the 60 mm hole can be used, but you need to bear the bottom and sides of the cabinet under the counter in mind and if there is a plinth then this needs to have a hole of 15 mm ( $\frac{5}{8}$ ") diameter per hose.



## Mirage pre-installation guide



Approximate footprints of Mirage Duette (left) and Mirage Triplette (right). Black circles are rubber feet. Countertop feedthrough (dark grey circle; diameter 60 mm) is optimally positioned in light grey square. Note that steam wands will protrude a few centimetres left and right from machine.

**Water supply** from a water treatment system must be nearby (max. 1.5 meter, 5 ft) to the machine. The water supply hose that comes with the machine has a half ball at the end and a 3/8" nut connector. **Discharge** may not be further away than 1.5 meters, have an internal diameter of at least 32 mm (1 3/8") and should be fitted out with a syphon.

There must be **space nearby** to locate the **water pump** with its electric motor (DxWxH: 30x20x25 cm; 12x8x10"). If your shipment does not include a **water treatment system** it should at least have arrived and preferably be installed before installing the Mirage.

A wall socket or **power mains** outlet box must be no more than 1.5 meter (5 ft) away. The machine is built to work with 220-240 VAC (RMS system voltage). The power mains can be:

1. 220-240 VAC 1-phase
2. 220-240 VAC 3-phases (120° phase shift) with neutral
3. 110-120 VAC 2-phases (180° phase shift) without neutral

All power mains must have an **earth connection** and should be able to safely deliver the maximum power consumption shown in the table below.

Maximum power consumption	Duette	Duette high power	Triplette
Watts	3600	5100	6400
Amps	15.7	22.2	27.8

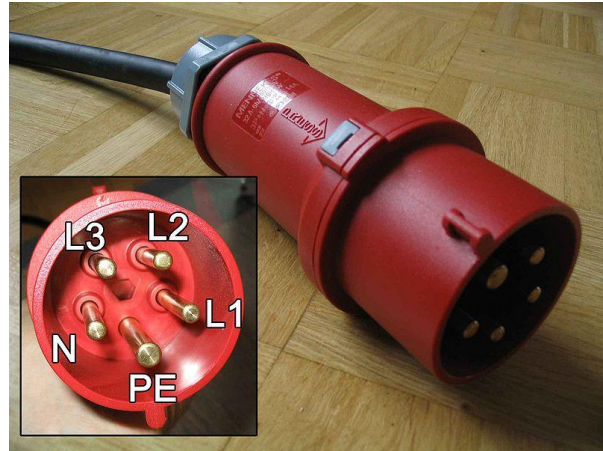


## Mirage pre-installation guide

The Duette 3600 Watts may be equipped with a CEE 7/7 plug, the Duette high power and Triplette can be equipped with a red IEC 60309 3P+N+E plug. If the machine comes without a **plug** fitted, please ensure that you have a suitable plug to match the wall socket, or have the machine directly installed in the wall installation box.



*CEE 7/7 plug*



*red IEC 60309 3P+N+E plug*

### Notes!

- 1 Make sure that the mains and pump cables "bend-upwards" in the cabinet below the machine to prevent the possibility that water dripping along these feeds reaches the wall socket or pump-motors.
- 2 Be aware of the location and functioning of the knock-box when planning the design of the connections to your machine.
- 3 Ensure that all the preparatory work is carried out before the machine is delivered; check power outlets, the water supply and the drains beforehand.

### General tips

- Install the knock-box centred underneath the espresso machine or near the grinder(s) in the back of the bar. This will result in a favourable routing of the filter holder (knock empty, fill, tamp, lock into group).
- Have your cabinet-maker fit the knock-box prior to installing the espresso machine. Whoever installs the machine may not be able or equipped to do so.
- Have approximately 10 cm of free countertop space at the barista's side of the machine. This is useful working space for cups and saucers.
- Have a fridge installed as close to the espresso machine as possible. Cold milk is essential for the proper preparation of cappuccino.

